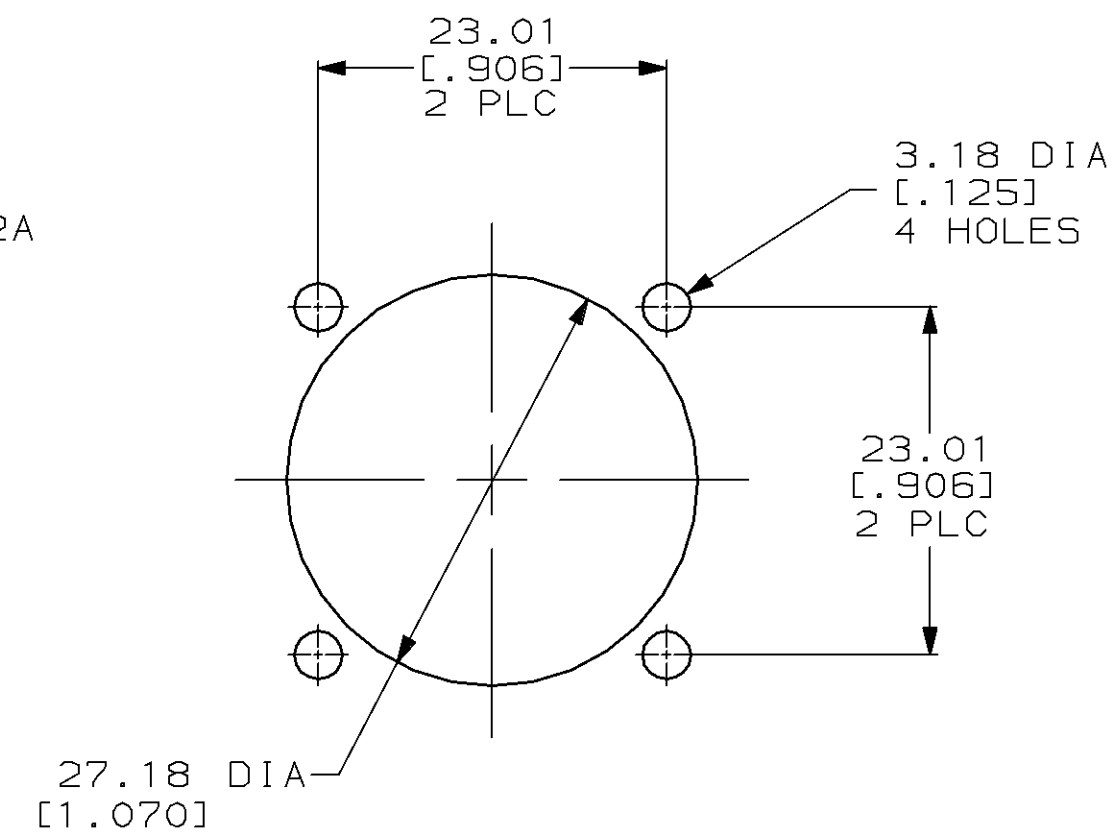
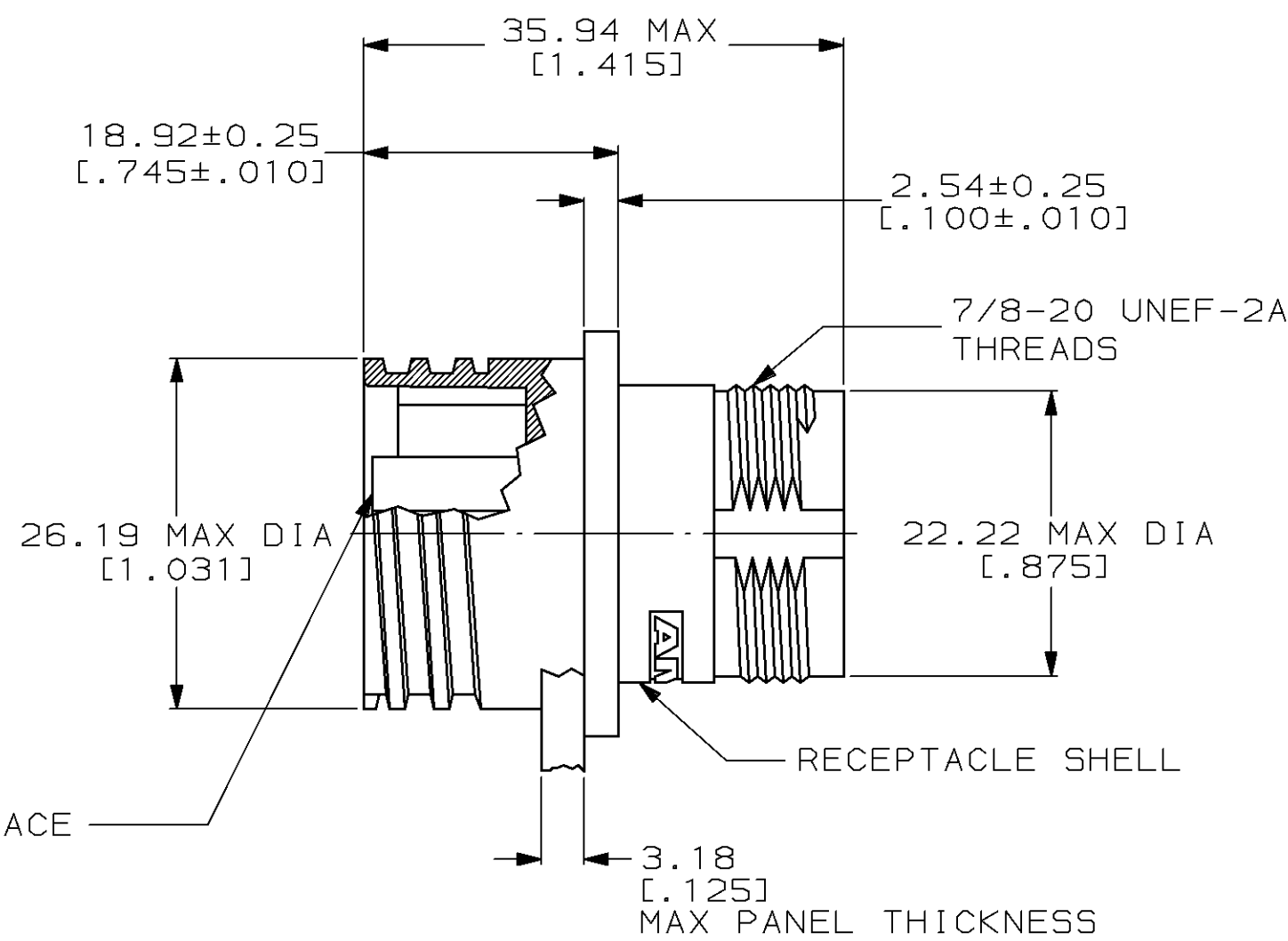
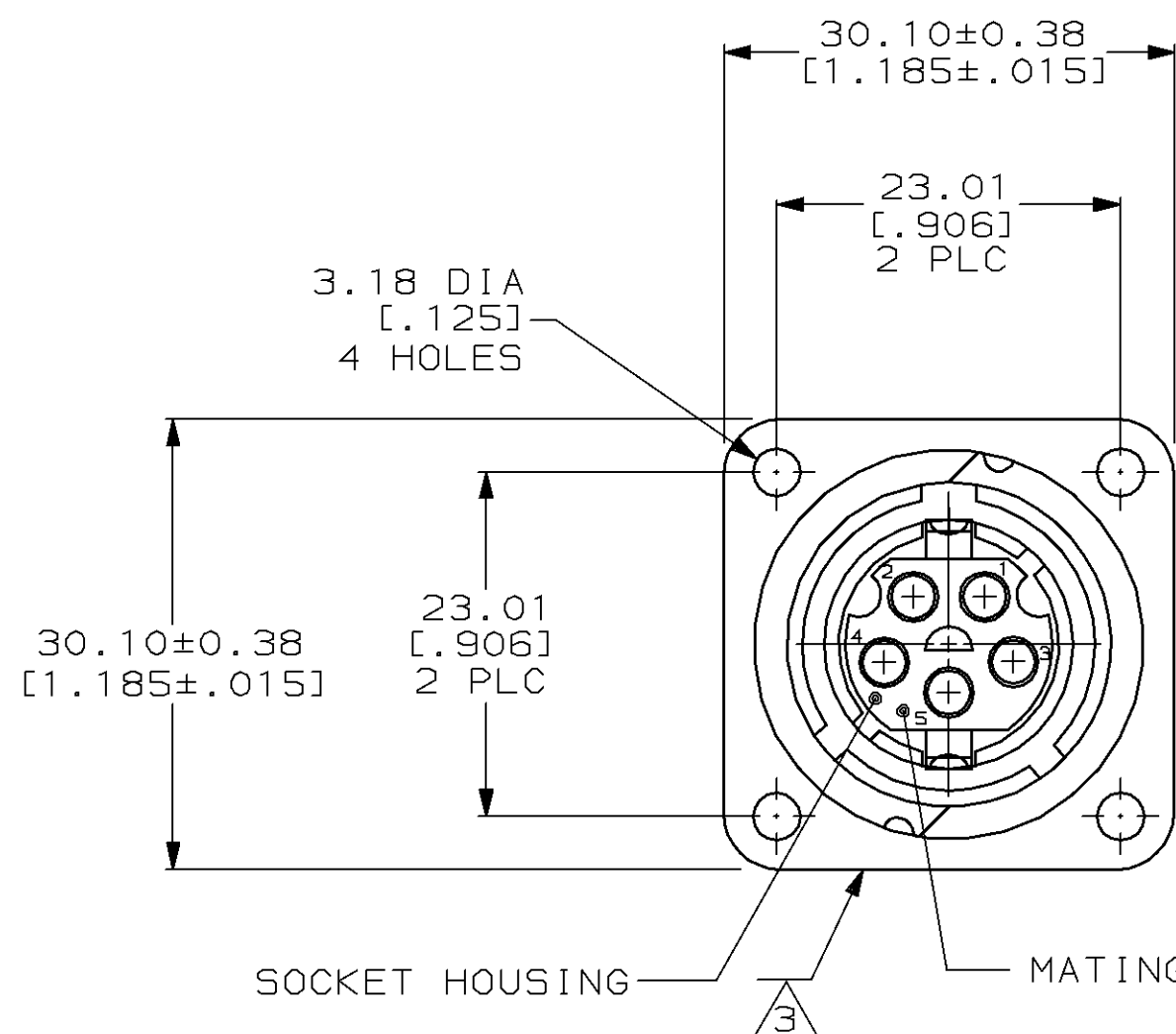


MOD		LOC		DIST		REVISIONS				
ZONE	LTR	DESCRIPTION	DATE	APPD						
4	BD	35	P	F	D	REDRAWN PER EC 0020-774-94	09/15/94	AF		



SUGGESTED PANEL CUTOUT

- THIS CONNECTOR ACCEPTS FIVE (5) SIZE 16 MULTIMATE SOCKET CONTACTS. MAXIMUM WIRE INSULATION DIAMETER = .135
- THIS CONNECTOR MATES WITH AMP P/N 208720-1.
- AMP P/N & DATE CODE INK STAMPED ON ANY OF THE FOUR SIDE SURFACES.
- THERMOPLASTIC, BLACK.
- ZINC PER QQ-Z-363.
- NICKEL PER QQ-N-290 OVER COPPER PER MIL-C-14550.

THIS DRAWING IS A CONTROLLED DOCUMENT FOR AMP INCORPORATED. IT IS SUBJECT TO CHANGE AND THE CONTROLLING ENGINEERING ORGANIZATION SHOULD BE CONTACTED FOR THE LATEST REVISION.

DO NOT SCALE PRINT. UNLESS SPECIFIED DIMENSIONS IN mm [INCHES] TOLERANCES ON : 2 PLC DEC ± 0.13 [.005] 3 PLC DEC ± - ANGLES ± -		DR 3/19/82 T. SMITH	AMP Incorporated Harrisburg, PA 17105-3608	
MATERIAL SOCKET HOUSING: RECEPTACLE SHELL:		CHK 9/26/94 B. LENKER		
FINISH RECEPTACLE SHELL:		APPD 9/29/94 A. FRANTUM	RECEPTACLE ASSEMBLY, REVERSE SEX, SERIES I, 14-5, CMC	
		APPD 9/29/94 R. EASTON		
		PRODUCT SPEC 108-10040	CAGE CODE	DRAWING NO
		APPLICATION SPEC	00779	=208721
		WEIGHT -	SCALE 2:1	SHEET 1 OF 1

208721-1

PART NO